

## 8FGF/FDF30

Specifications					02-8FGF30	02-8FDF30	52-8FDF30
Identification	1.1	Manufacturer			Toyota	Toyota	Toyota
	1.2	Model			02-8FGF30	02-8FDF30	52-8FDF30
	1.3	Drive			LPG	Diesel	Diesel
	1.4	Operator type			Rider seated	Rider seated	Rider seated
	1.5	Load capacity/rated load	Q	kg	3000	3000	3000
	1.6	Load centre	c	mm	500	500	500
	1.8	Load distance, centre of drive axle to fork	x	mm	485	485	485
	1.9	Wheelbase	y	mm	1700	1700	1700
Weight	2.1	Service weight		kg	4210	4250	4280
	2.2	Axle load, with load, front/rear		kg	6230/980	6260/990	6280/1000
	2.3	Axle load, without load, front/rear		kg	1490/2720	1530/2720	1540/2740
Tyres	3.1	Tyre - pneumatic (P), pneumatic shaped cushion (SE), solid rubber (R)			SE	SE	SE
	3.2	Tyre size, front			28x9-15	28x9-15	28x9-15
	3.3	Tyre size, rear			6,50-10	6,50-10	6,50-10
	3.5	Wheels, number front/rear (x = driven wheels)			2x/2	2x/2	2x/2
	3.6	Track width, front	b <sub>10</sub>	mm	1010	1010	1010
	3.7	Track width, rear	b <sub>11</sub>	mm	965	965	965
	Dimensions	4.1	Tilt of mast/fork carriage forward/backward	$\alpha/\beta$	deg	6/11	6/11
4.2		Height, mast lowered	h <sub>1</sub>	mm	2010	2010	2010
4.3		Free lift	h <sub>2</sub>	mm	135	135	135
4.4		Lift	h <sub>3</sub>	mm	2955	2955	2955
		Lift height	h <sub>23</sub>	mm	3000	3000	3000
4.5		Height, mast extended	h <sub>4</sub>	mm	4260	4260	4260
4.7		Height of overhead guard (cab)	h <sub>6</sub>	mm	2170	2170	2170
4.8		Seat height	h <sub>7</sub>	mm	1110	1110	1110
4.12		Coupling height	h <sub>10</sub>	mm	335	335	335
4.19		Overall length	l <sub>1</sub>	mm	3780	3780	3780
4.20		Length to face of forks	l <sub>2</sub>	mm	2780	2780	2780
4.21		Overall width	b <sub>1</sub>	mm	1240	1240	1240
4.22		Fork dimensions	s/e/l	mm	45/100/1000	45/100/1000	45/100/1000
4.23		Fork carriage DIN 15 173, class/type A, B			IIIA	IIIA	IIIA
4.24		Fork-carriage width	b <sub>3</sub>	mm	1070	1070	1070
4.31		Ground clearance, with load, below mast	m <sub>1</sub>	mm	110	110	110
4.32		Ground clearance, centre of wheelbase	m <sub>2</sub>	mm	180	180	180
4.33		Aisle width for pallets 1000x1200 crossways	A <sub>st</sub>	mm	4115	4115	4115
4.34	Aisle width for pallets 800x1200 lengthways	A <sub>st</sub>	mm	4315	4315	4315	
4.35	Turning radius	W <sub>a</sub>	mm	2430	2430	2430	
4.36	Internal turning radius	b <sub>13</sub>	mm	720	720	720	
Performance data	5.1	Travel speed, with/without load		km/h	18,5/19,0	16,0/16,5	18,5/19,0
	5.2	Lift speed, with/without load		m/s	0,51/0,55	0,44/0,47	0,50/0,53
	5.3	Lowering speed, with/without load		m/s	0,50/0,50	0,50/0,50	0,50/0,50
	5.6	Max. drawbar pull, with/without load		N	18000/10300	18400/10400	19500/10500
	5.7	Gradeability, with load <sup>1) 2)</sup>		%	23	24	25
	5.8	Max. gradeability, with/without load <sup>2)</sup>		%	26/20	27/20	28/20
	5.10	Service brake			Hydraulic	Hydraulic	Hydraulic
Combustion engine	7.1	Engine manufacturer/type			Toyota 4Y-ECS (V)	Toyota 1DZ-III (IIIA)	Toyota 1ZS (IIIB)
	7.2	Engine power according to ISO 1585		kW	42	36	41
	7.3	Rated speed		1/min	2570	2400	2200
	7.4	No. of cylinders/displacement		cm <sup>3</sup>	4/2237	4/2486	3/1795
	7.5a	Fuel consumption according to VDI 60		l/h	—	4,3	3,6
	7.5b	Fuel consumption according to VDI 60		kg/h	3,4	—	—
Other	8.2	Operating pressure for attachments		bar	147	147	147
	8.3	Oil volume for attachments		l/min	65 - 74	65 - 75	65 - 80
	8.4	Sound level at the driver's ear according to EN 12 053		dB(A)	77	79	77

1) At 1,5 km/h.

2) Computed val.

## Mast dimensions and rated capacities

Model			V								FV					FSV							
8FGF/8FDF30	Lift height	$h_{23}$	3000	3300	3500	3700	4000	4500	5000	5500	6000	3000	3300	3500	3700	4000	4300	4700	5000	5500	6000	6500	7000
	Lift	$h_3$	2955	3255	3455	3655	3955	4455	4955	5455	5955	2955	3255	3455	3655	3955	4255	4655	4955	5455	5955	6455	6955
	Height, mast lowered	$h_1$	2010	2160	2260	2420	2610	2860	3110	3360	3650	2010	2160	2260	2420	2610	2160	2260	2420	2610	2860	3110	3360
	Height, mast extended <sup>1)</sup>	$h_4$	3765	4065	4265	4465	4765	5265	5765	6265	6765	3650	3950	4150	4350	4650	4950	5350	5650	6150	6650	7150	7650
	Height, mast extended <sup>2)</sup>	$h_4$	4260	4560	4760	4960	5260	5760	6260	6760	7260	4250	4550	4750	4950	5250	5550	5950	6250	6750	7250	7750	8250
	Free lift, without load backrest	$h_2$	135	135	135	135	135	135	135	135	135	1400 [1145]	1550 [1295]	1650 [1395]	1810 [1555]	2000 [1745]	1550	1650	1810	2000	2250	2500	2750
	Free lift, with load backrest	$h_2$	135	135	135	135	135	135	135	135	135	800	950	1050	1210	1400	950	1050	1210	1400	1650	1900	2150

1) Without load backrest.

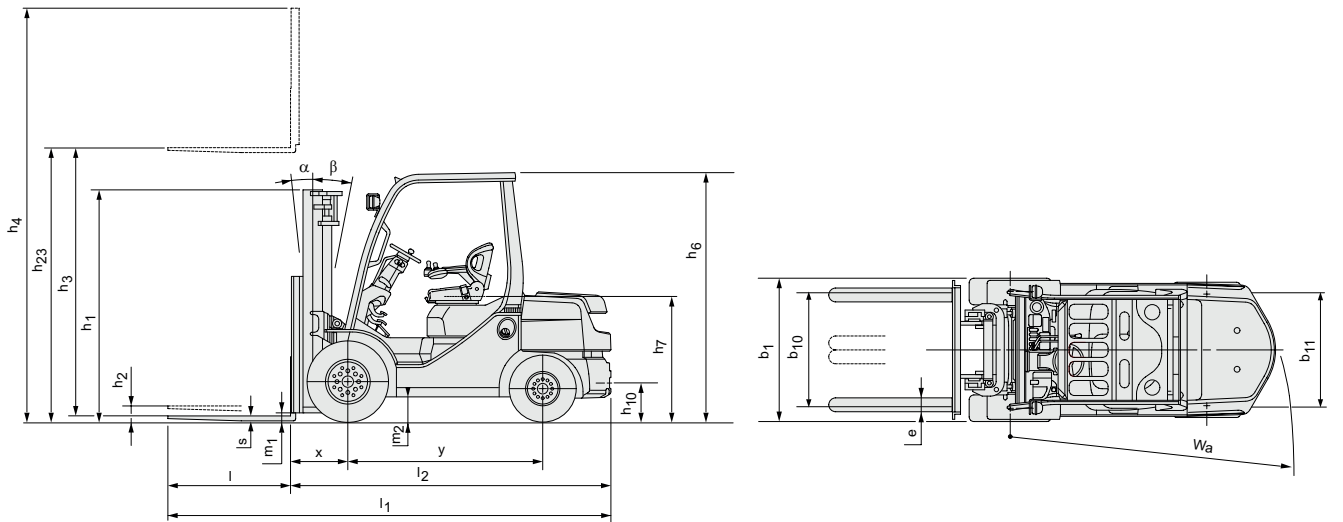
2) With load backrest; Height of standard load backrest is 1220 mm.

Data in [ ] are for when "A4 piping" is selected.

Single tyre			V								FV					FSV							
8FGF/8FDF30	Tilt range, forward	deg	6	6	6	6	6	6	6	—	—	6	6	6	6	6	6	6	6	6	6	6	—
	Tilt range, backward	deg	11(6)	11(6)	11(6)	11(6)	11(6)	6	6	—	—	11(6)	11(6)	11(6)	11(6)	11(6)	6	6	6	6	6	6	—
	Load capacity, P tyres at 500 mm LC	kg	3000	3000	3000	3000	3000	3000	2600	—	—	3000	3000	3000	3000	3000	3000	3000	2600	1900	1500	1000	—
	Load capacity, SE tyres at 500 mm LC	kg	3000	3000	3000	3000	3000	3000	2750	—	—	3000	3000	3000	3000	3000	3000	3000	2750	2050	1650	1100	—

Dual tyre			V								FV					FSV							
8FGF/8FDF30	Tilt range, forward	deg	6	6	6	6	6	6	6	6	6	6	6	6	6	6	6	6	6	6	6	6	6
	Tilt range, backward	deg	11(6)	11(6)	11(6)	11(6)	11(6)	6	6	6	6	11(6)	11(6)	11(6)	11(6)	11(6)	6	6	6	6	6	6	6
	Load capacity, P tyres at 500 mm LC	kg	3000	3000	3000	3000	3000	3000	2550	2050	3000	3000	3000	3000	3000	3000	3000	2950	2650	2050	1600	1200	

Data in ( ) are for when "Cabin Series" is selected (minimum front windshield).



Underclearance		
Mast, load	mm	110
Drive axle, load	mm	125
Steer axle, no load	mm	175
Center of wheelbase, load	mm	180
Counterweight, no load	mm	170