

## 8FGJF/FDJF35

Specifications					02-8FGJF35	02-8FDJF35	52-8FDJF35
Identification	1.1	Manufacturer			Toyota	Toyota	Toyota
	1.2	Model			02-8FGJF35	02-8FDJF35	52-8FDJF35
	1.3	Drive			LPG	Diesel	Diesel
	1.4	Operator type			Rider seated	Rider seated	Rider seated
	1.5	Load capacity/rated load	Q	kg	3500	3500	3500
	1.6	Load centre	c	mm	500	500	500
	1.8	Load distance, centre of drive axle to fork	x	mm	495	495	495
	1.9	Wheelbase	y	mm	1700	1700	1700
Weight	2.1	Service weight		kg	4820	4860	4890
	2.2	Axle load, with load, front/rear		kg	7250/1070	7260/1100	7280/1110
	2.3	Axle load, without load, front/rear		kg	1690/3130	1710/3150	1720/3170
Tyres	3.1	Tyre - pneumatic (P), pneumatic shaped cushion (SE), solid rubber (R)			SE	SE	SE
	3.2	Tyre size, front			250 - 15	250 - 15	250 - 15
	3.3	Tyre size, rear			6.50 - 10	6.50 - 10	6.50 - 10
	3.5	Wheels, number front/rear (x = driven wheels)			2x/2	2x/2	2x/2
	3.6	Track width, front	b <sub>10</sub>	mm	1060	1060	1060
	3.7	Track width, rear	b <sub>11</sub>	mm	965	965	965
	Dimensions	4.1	Tilt of mast/fork carriage forward/backward	$\alpha/\beta$	deg	6/11	6/11
4.2		Height, mast lowered	h <sub>1</sub>	mm	2115	2115	2115
4.3		Free lift	h <sub>2</sub>	mm	135	135	135
4.4		Lift	h <sub>3</sub>	mm	2955	2955	2955
		Lift height	h <sub>23</sub>	mm	3000	3000	3000
4.5		Height, mast extended	h <sub>4</sub>	mm	4260	4260	4260
4.7		Height of overhead guard (cab)	h <sub>6</sub>	mm	2180	2180	2180
4.8		Seat height	h <sub>7</sub>	mm	1120	1120	1120
4.12		Coupling height	h <sub>10</sub>	mm	335	335	335
4.19		Overall length	l <sub>1</sub>	mm	3850	3850	3850
4.20		Length to face of forks	l <sub>2</sub>	mm	2850	2850	2850
4.21		Overall width	b <sub>1</sub>	mm	1290	1290	1290
4.22		Fork dimensions	s/e/l	mm	45/125/1000	45/125/1000	45/125/1000
4.23		Fork carriage DIN 15 173, class/type A, B			IIIA	IIIA	IIIA
4.24		Fork-carriage width	b <sub>3</sub>	mm	1070	1070	1070
4.31		Ground clearance, with load, below mast	m <sub>1</sub>	mm	130	130	130
4.32		Ground clearance, centre of wheelbase	m <sub>2</sub>	mm	190	190	190
4.33		Aisle width for pallets 1000x1200 crossways	A <sub>st</sub>	mm	4185	4185	4185
4.34		Aisle width for pallets 800x1200 lengthways	A <sub>st</sub>	mm	4385	4385	4385
4.35		Turning radius	W <sub>a</sub>	mm	2490	2490	2490
4.36	Internal turning radius	b <sub>13</sub>	mm	745	745	745	
Performance data	5.1	Travel speed, with/without load		km/h	19,0/19,5	16,5/17,0	19,0/19,5
	5.2	Lift speed, with/without load		m/s	0,43/0,45	0,37/0,40	0,42/0,45
	5.3	Lowering speed, with/without load		m/s	0,50/0,45	0,50/0,45	0,50/0,45
	5.6	Max. drawbar pull, with/without load		N	17000/10500	17100/10600	18500/10600
	5.7	Gradeability, with load <sup>1) 2)</sup>		%	18	19	19
	5.8	Max. gradeability, with/without load <sup>2)</sup>		%	20/18	21/19	21/19
	5.10	Service brake			Hydraulic	Hydraulic	Hydraulic
Combustion engine	7.1	Engine manufacturer/type			Toyota 4Y-ECS (V)	Toyota 1DZ-III (IIIA)	Toyota 1ZS (IIIB)
	7.2	Engine power according to ISO 1585		kW	42	36	41
	7.3	Rated speed		1/min	2570	2400	2200
	7.4	No. of cylinders/displacement		cm <sup>3</sup>	4/2237	4/2486	3/1795
	7.5a	Fuel consumption according to VDI 60		l/h	—	4,9	3,9
	7.5b	Fuel consumption according to VDI 60		kg/h	3,8	—	—
Other	8.2	Operating pressure for attachments		bar	147	147	147
	8.3	Oil volume for attachments		l/min	65 - 74	65 - 80	65 - 80
	8.4	Sound level at the driver's ear according to EN 12 053		dB(A)	77	79	77

1) At 1,5 km/h.

2) Computed values.

## Mast dimensions and rated capacities

Model			V								FV					FSV							
8FGJF/ 8FDJF35	Lift height	$h_{23}$	3000	3300	3500	3700	4000	4500	5000	5500	6000	3000	3300	3500	3700	4000	4300	4700	5000	5500	6000	6500	7000
	Lift	$h_3$	2955	3255	3455	3655	3955	4455	4955	5455	5955	2955	3255	3455	3655	3955	4255	4655	4955	5455	5955	6455	6955
	Height, mast lowered	$h_1$	2115	2295	2395	2495	2745	2995	3245	3545	3795	2115	2295	2395	2495	2745	2230	2435	2625	2875	3125	3375	3625
	Height, mast extended <sup>1)</sup>	$h_4$	3910	4210	4410	4610	4910	5410	5910	6410	6910	3765	4065	4265	4465	4765	5065	5465	5765	6265	6765	7265	7765
	Height, mast extended <sup>2)</sup>	$h_4$	4260	4560	4760	4960	5260	5760	6260	6760	7260	4250	4550	4750	4950	5250	5550	5950	6250	6750	7250	7750	8250
	Free lift, without load backrest	$h_2$	135	135	135	135	135	135	135	135	135	1390	1570	1670	1770	2020	1500	1710	1900	2150	2400	2650	2900
	Free lift, with load backrest	$h_2$	135	135	135	135	135	135	135	135	135	[1290]	[1470]	[1570]	[1670]	[1920]	1015	1225	1415	1665	1915	2165	2415

1) Without load backrest.

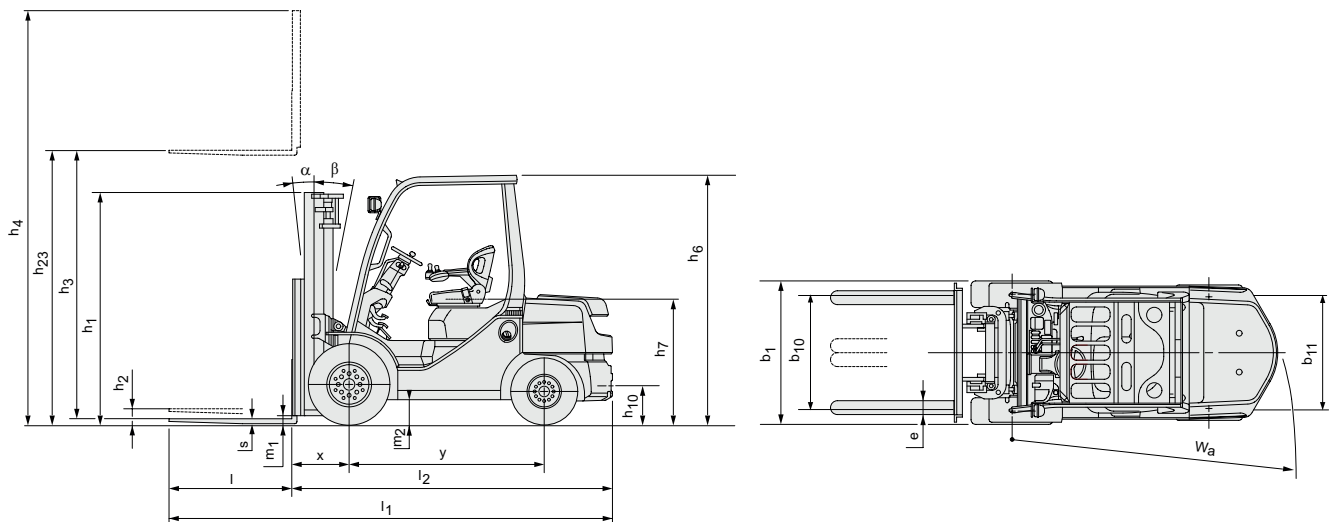
2) With load backrest; Height of standard load backrest is 1220 mm.

Data in [ ] are for when "A4 piping" is selected.

Single tyre			V								FV					FSV								
8FGJF/ 8FDJF35	Tilt range, forward	deg	6	6	6	6	6	6	6	—	—	6	6	6	6	6	6	6	6	6	6	6	6	—
	Tilt range, backward	deg	11(6)	11(6)	11(6)	11(6)	11(6)	6	6	—	—	11(6)	11(6)	11(6)	11(6)	11(6)	6	6	6	6	6	6	6	—
	Load capacity, P tyres at 500 mm LC	kg	3500	3500	3500	3500	3500	3500	3300	—	—	3500	3500	3500	3500	3500	3500	3400	3300	2700	2000	1100	—	
	Load capacity, SE tyres at 500 mm LC	kg	3500	3500	3500	3500	3500	3500	3400	—	—	3500	3500	3500	3500	3500	3500	3400	3300	2850	2150	1100	—	

Dual tyre			V								FV					FSV							
8FGJF/ 8FDJF35	Tilt range, forward	deg	6	6	6	6	6	6	6	6	6	6	6	6	6	6	6	6	6	6	6	6	6
	Tilt range, backward	deg	11(6)	11(6)	11(6)	11(6)	11(6)	6	6	6	6	11(6)	11(6)	11(6)	11(6)	11(6)	6	6	6	6	6	6	6
	Load capacity, P tyres at 500 mm LC	kg	3500	3500	3500	3500	3500	3500	3400	2950	1900	3500	3500	3500	3500	3500	3500	3400	3300	3200	2400	1650	900

Data in ( ) are for when "Cabin Series" is selected (minimum front windshield).



Underclearance		
Mast, load	mm	130
Drive axle, load	mm	140
Steer axle, no load	mm	175
Center of wheelbase, load	mm	190
Counterweight, no load	mm	165